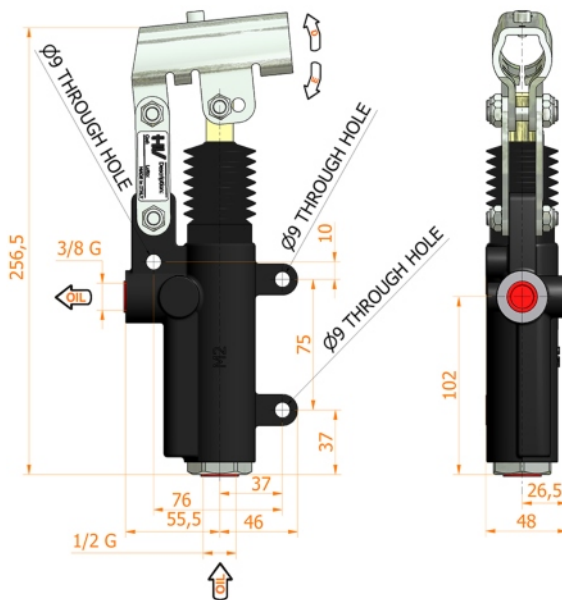
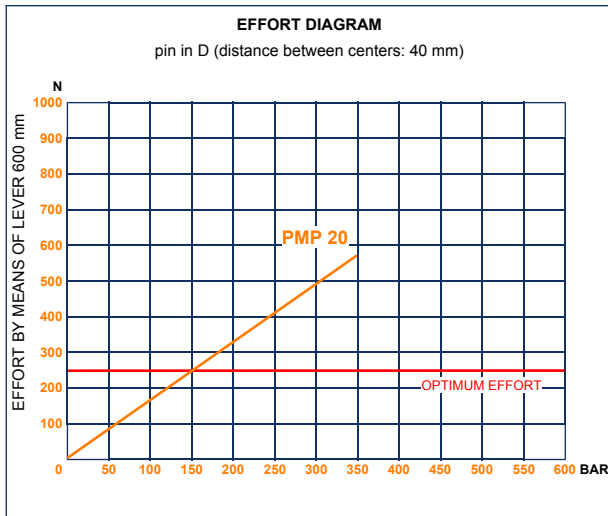




PMP 20 e-s

without release hand knob
 double acting hand pump for single acting cylinder
 for fixing to wall



Specifications:

- Cast iron body
- Piston treated with Niploy
- White zinc plated support lever
- Lever connection $\phi 27$
- White zinc plated external parts
- Standard colour black

| DISPLACEMENT cm ³ | A mm | B mm | C mm | D ° | E ° | ACTUAL DISPLACEMENT cm ³ | PRESSURE BAR | | MASS KG | CODE WITHOUT BELLOWS | CODE WITH BELLOWS |
|---------------------------------|---------|---------|---------|--------|--------|---|--------------|-----|------------|----------------------------|-------------------------|
| | | | | | | | OPTIMAL | MAX | | | |
| 20 | -- | -- | -- | 32 | 30 | 20,090 | 150 | 350 | 2,650 | 6074.0055 | 6074.0060 |
| | | | | | | | | | | | |
| | | | | | | | | | | | |
| | | | | | | | | | | | |
| | | | | | | | | | | | |